

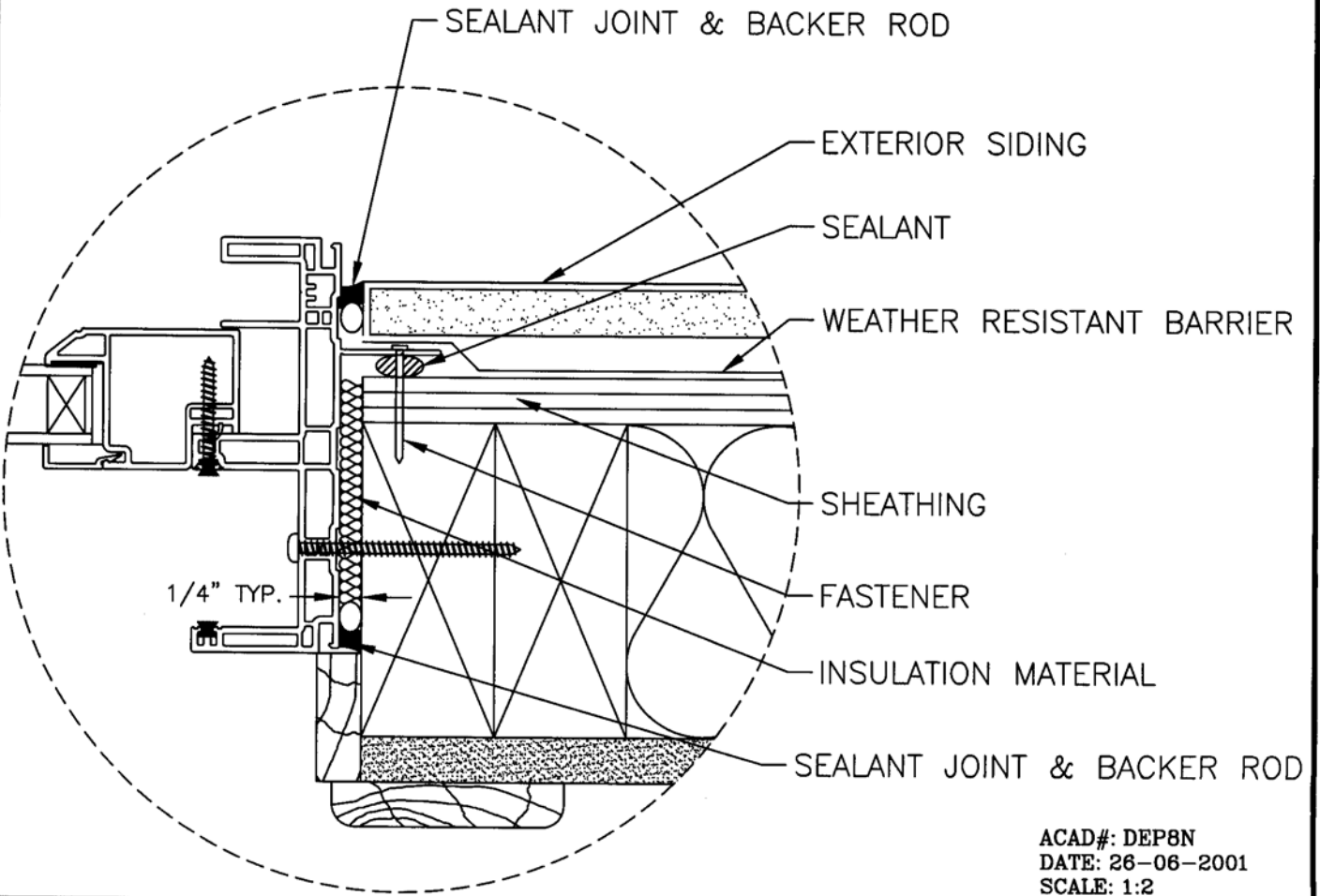
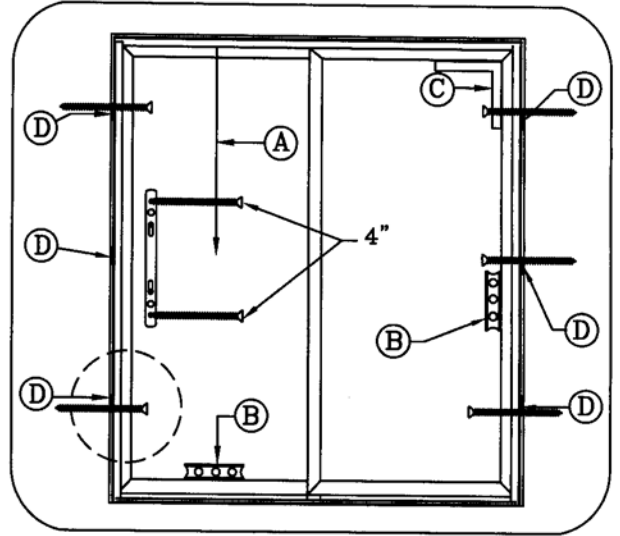


# PATIO DOOR INSTALLATION

-UNITS MUST BE INSTALLED:

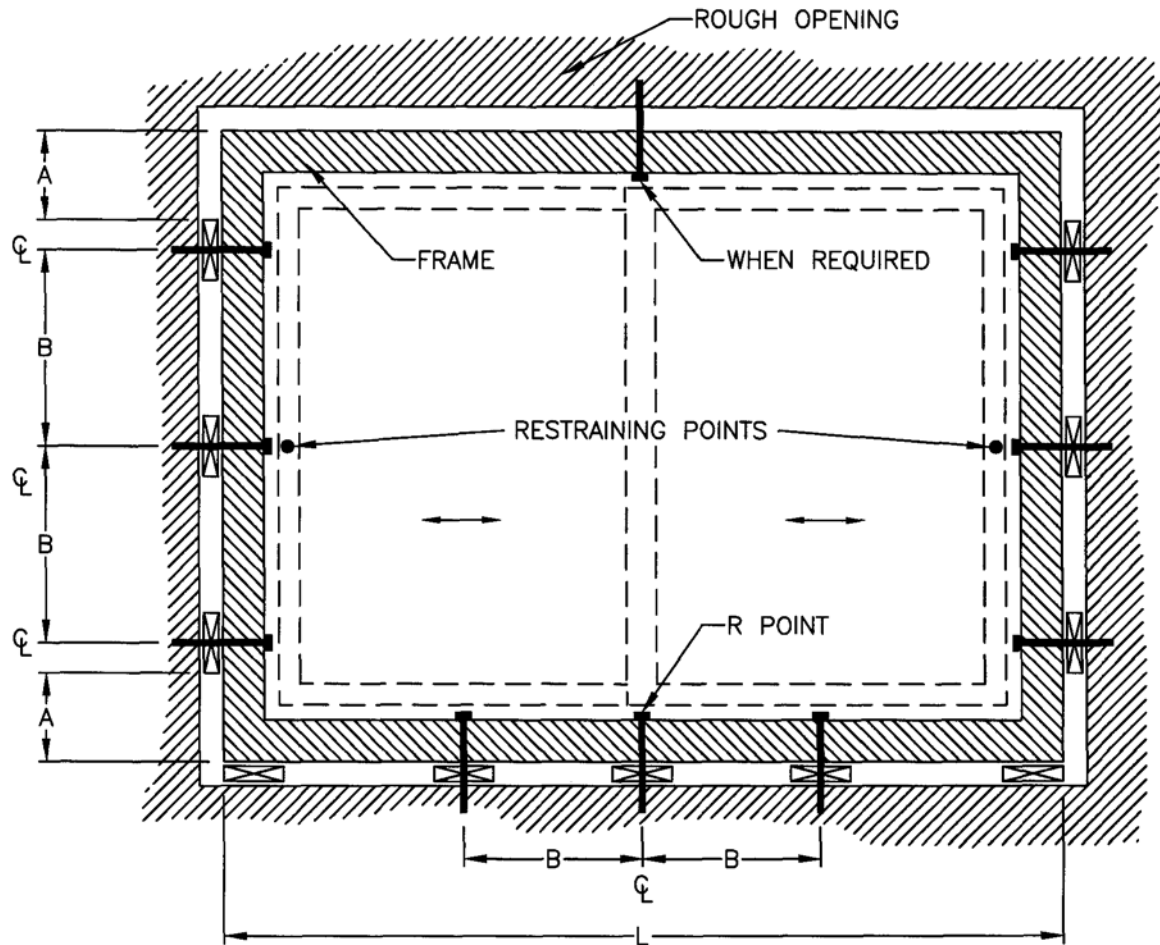
- A. PLUMB
- B. LEVEL
- C. SQUARE
- D. SHIM

NOTE: CONSULT LOCAL BUILDING CODES  
PRIOR TO INSTALLATION.



ACAD#: DEP8N  
DATE: 26-06-2001  
SCALE: 1:2

# SHIMMING AND ANCHORING A SLIDING DOOR



FRAME CONSTRUCTION	JAMB	
	MIN "A" (po)*	MAX "B" (po)
P.V.C.	7 7/8"	23 5/8"
WOOD	2"	31 1/2"

\*WHEN EXTERIOR FINISH IS DARK COLOURED, ADD 50mm (2") TO THE ABOVE INDICATED "A" DISTANCE.

R POINT: FASTENER LENGTH SHALL BE SUFFICIENT TO PENETRATE A MINIMUM OF 25mm (1") INTO THE ROUGH OPENING STUDS.

L: WIDTH OF WINDOW